



(12) **United States Patent Brand**

(10) **Patent No.:** US 9,743,125 B2
(45) **Date of Patent:** Aug. 22, 2017

(54) **SYSTEM AND METHOD FOR VISUAL EDITING**

- (71) Applicant: **TRIMVID, LLC**, Belleair Bluffs, FL (US)
- (72) Inventor: **Hunt K. Brand**, Belleair Bluffs, FL (US)
- (73) Assignee: **TRIMVID, LLC.**, Belleair Bluffs, FL (US)

(*) Notice: Subject to any disclaimer, the term of this patent is extended or adjusted under 35 U.S.C. 154(b) by 0 days.

(21) Appl. No.: **13/932,327**
(22) Filed: **Jul. 1, 2013**

(65) **Prior Publication Data**
US 2015/0007032 A1 Jan. 1, 2015

Related U.S. Application Data
(60) Provisional application No. 61/690,762, filed on Jul. 3, 2012.

(51) **Int. Cl.**
G11B 27/02 (2006.01)
H04N 21/414 (2011.01)
G11B 27/034 (2006.01)
G11B 27/34 (2006.01)
H04N 21/472 (2011.01)

(52) **U.S. Cl.**
CPC *H04N 21/41407* (2013.01); *G11B 27/034* (2013.01); *G11B 27/34* (2013.01); *H04N 21/47205* (2013.01)

(58) **Field of Classification Search**
CPC G11B 27/02
USPC 715/723
See application file for complete search history.

(56) **References Cited**

U.S. PATENT DOCUMENTS

2,918,524 A	12/1959	Hume
3,028,454 A	4/1962	Kohorn
3,538,265 A	11/1970	Keeler, II
4,282,606 A	8/1981	Factor
4,408,309 A	10/1983	Kiesling et al.
4,633,331 A	12/1986	McGrady et al.
4,897,741 A	1/1990	Inoue et al.

(Continued)

OTHER PUBLICATIONS

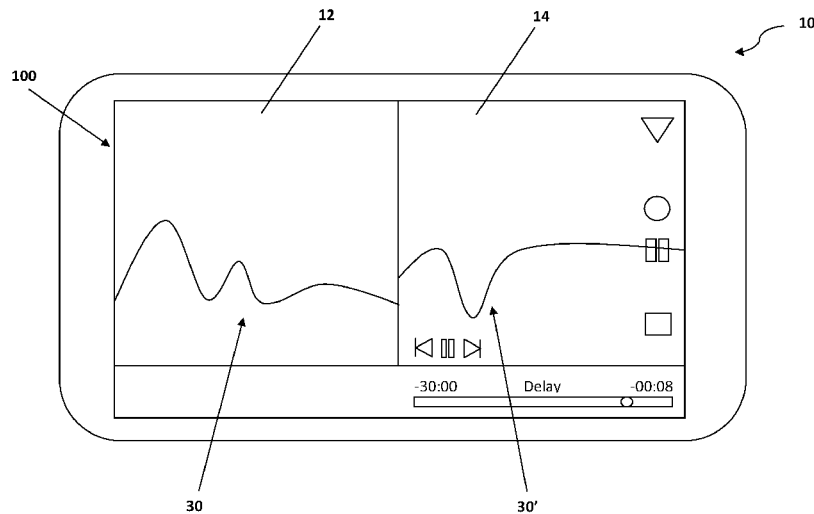
VlogginLife, "Magix Movie Edit Pro Tutorial—Super Timelapse and Slow Motion", Youtube video, Feb. 3, 2013 Retrieved on [Nov. 25, 2014], Retrieved from the internet <URL:https://www.youtube.com/watch?v=-11t1wpttXE> entire document.

Primary Examiner — Andrey Belousov
Assistant Examiner — Seth A Silverman
(74) *Attorney, Agent, or Firm* — Brainspark Associates, LLC

(57) **ABSTRACT**

The invention is directed to a system and method for visual editing of an input signal. Accordingly, it includes an editing device comprising a device screen, a media module, a user input module, and an output module. The media module receives an input signal which includes at least one visual component. The device screen comprises a source screen and a delay screen, wherein the input signal is displayed on the source screen in real time, and the input signal is displayed on the delay screen in delay time, with the delay time being adjustable. The user input module allows the user to create at least one clip comprising a portion of the input signal as it is displayed on the delay screen. The output module is structured to output the clip.

20 Claims, 7 Drawing Sheets



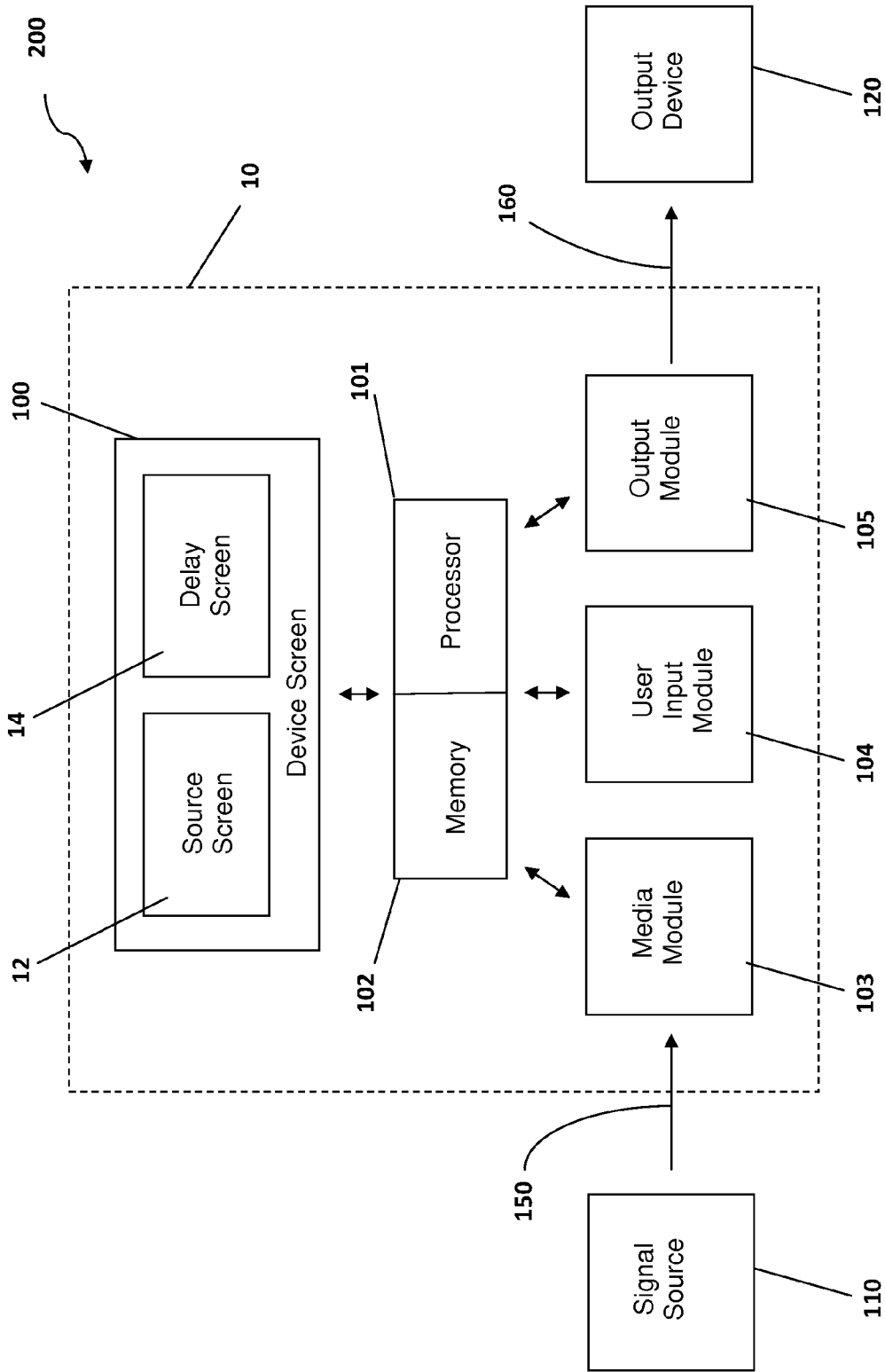


Figure 1

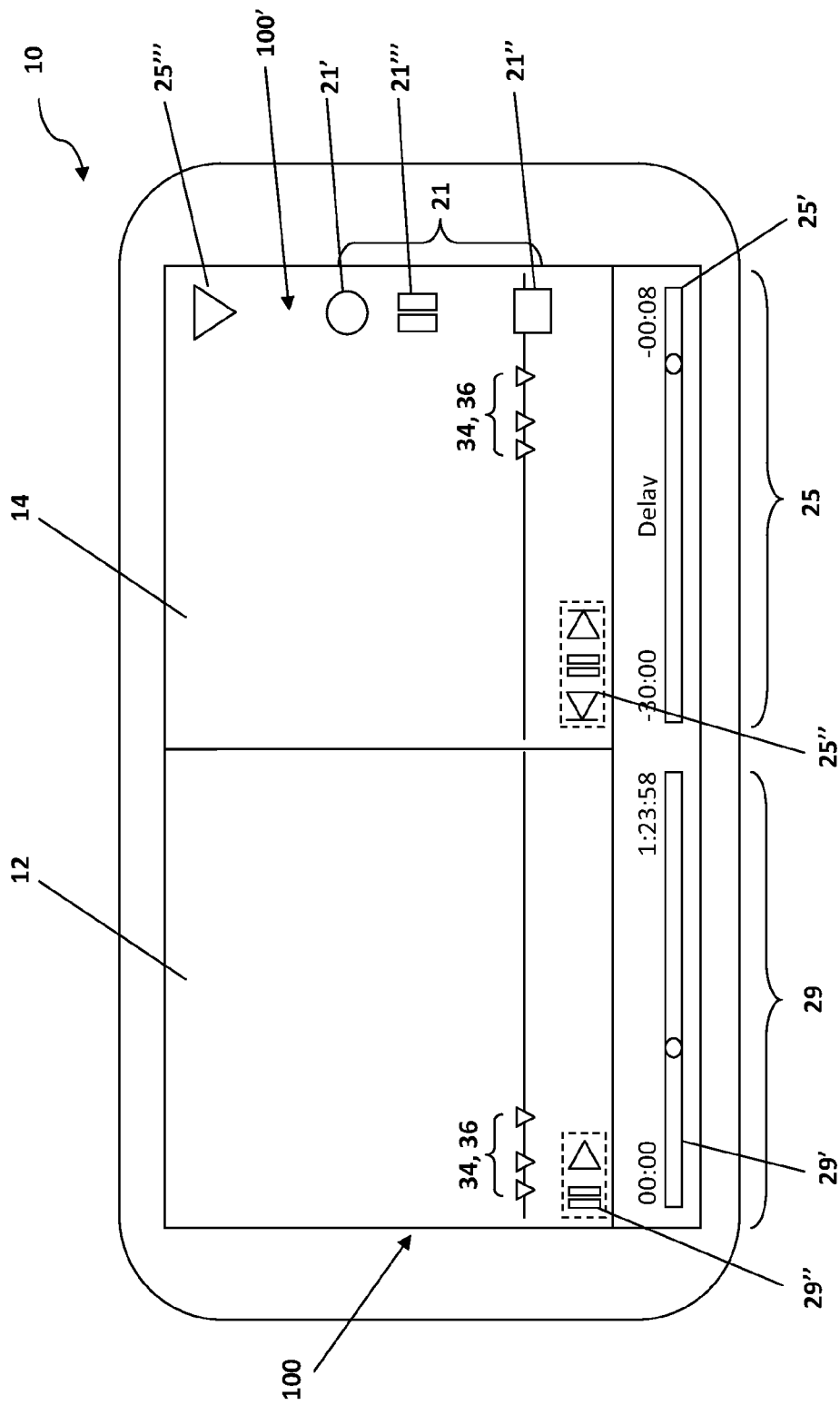


Figure 2

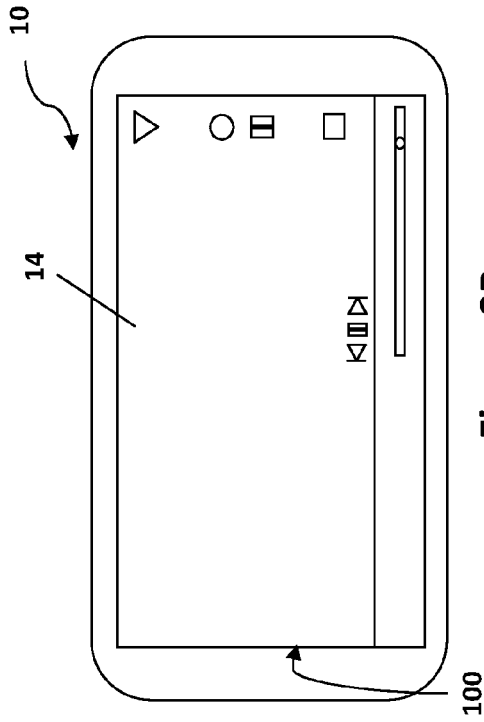


Figure 3B

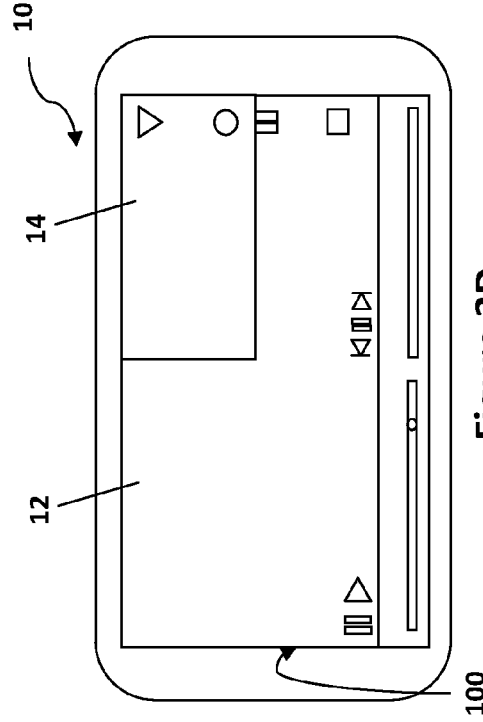


Figure 3D

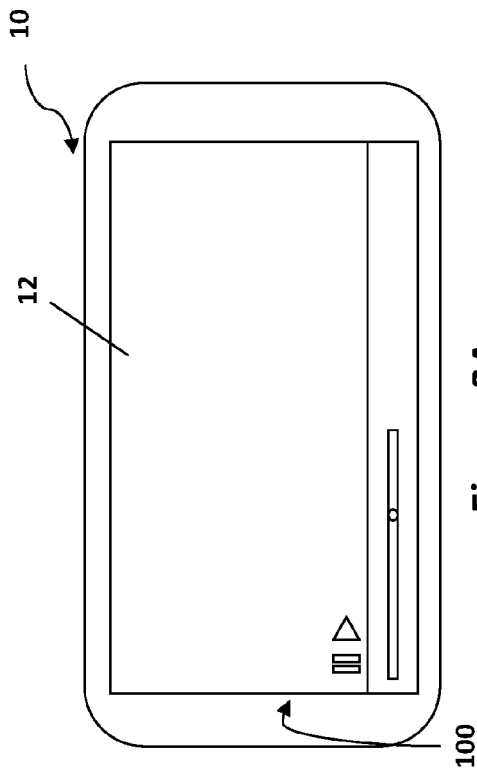


Figure 3A

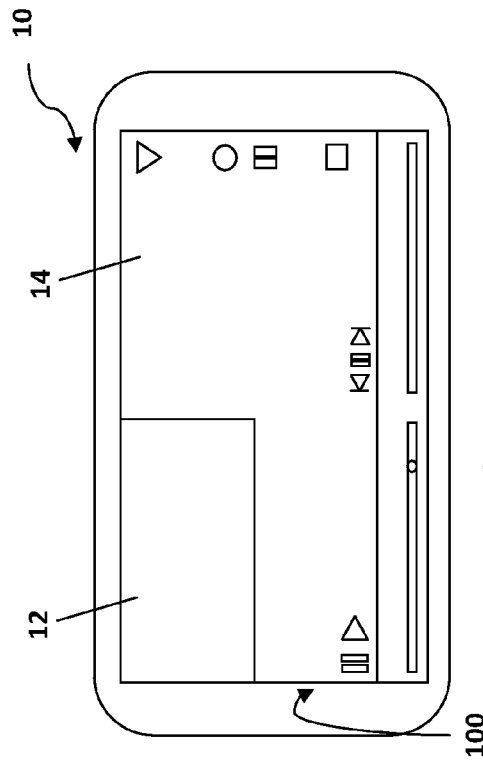


Figure 3C

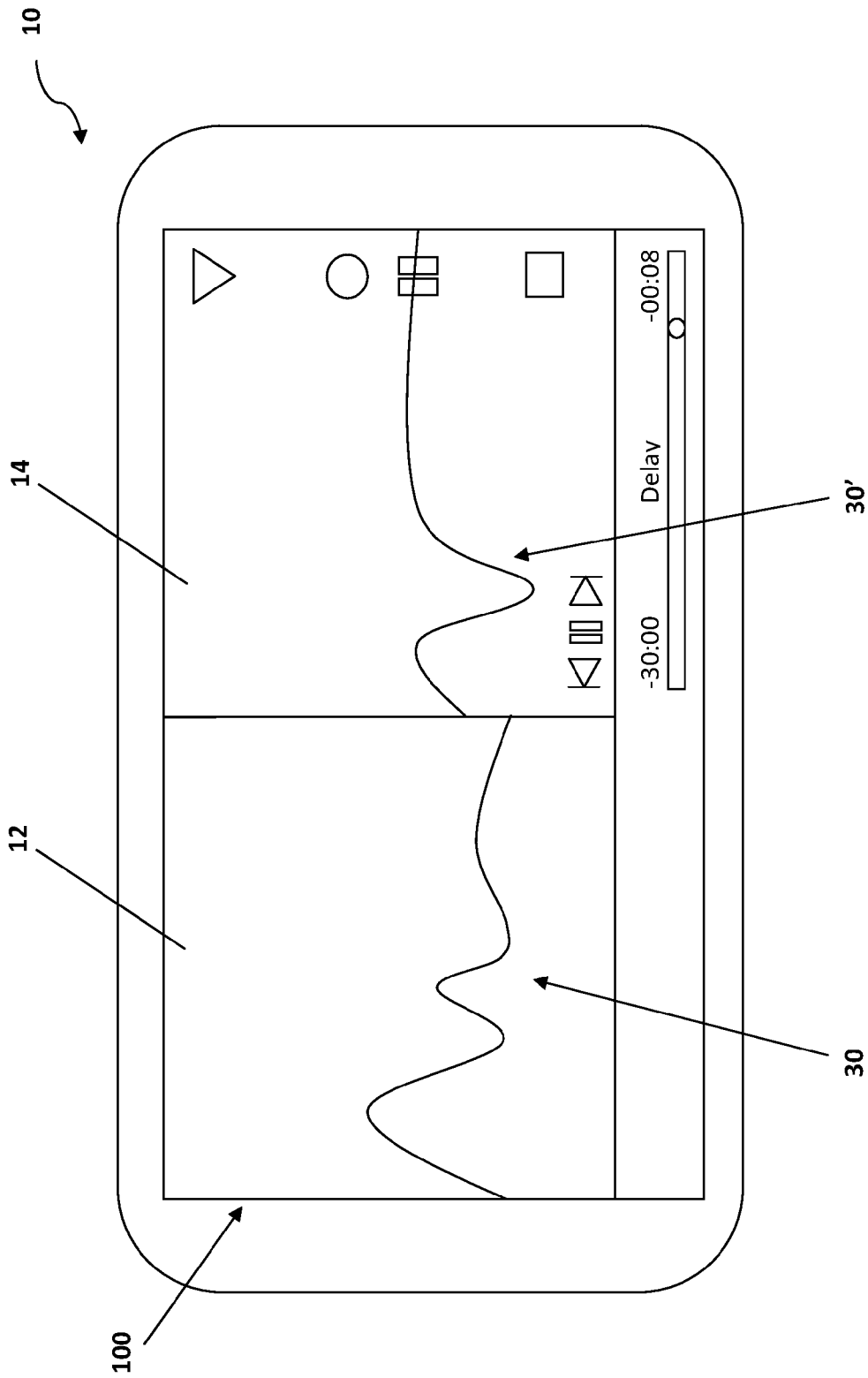


Figure 4

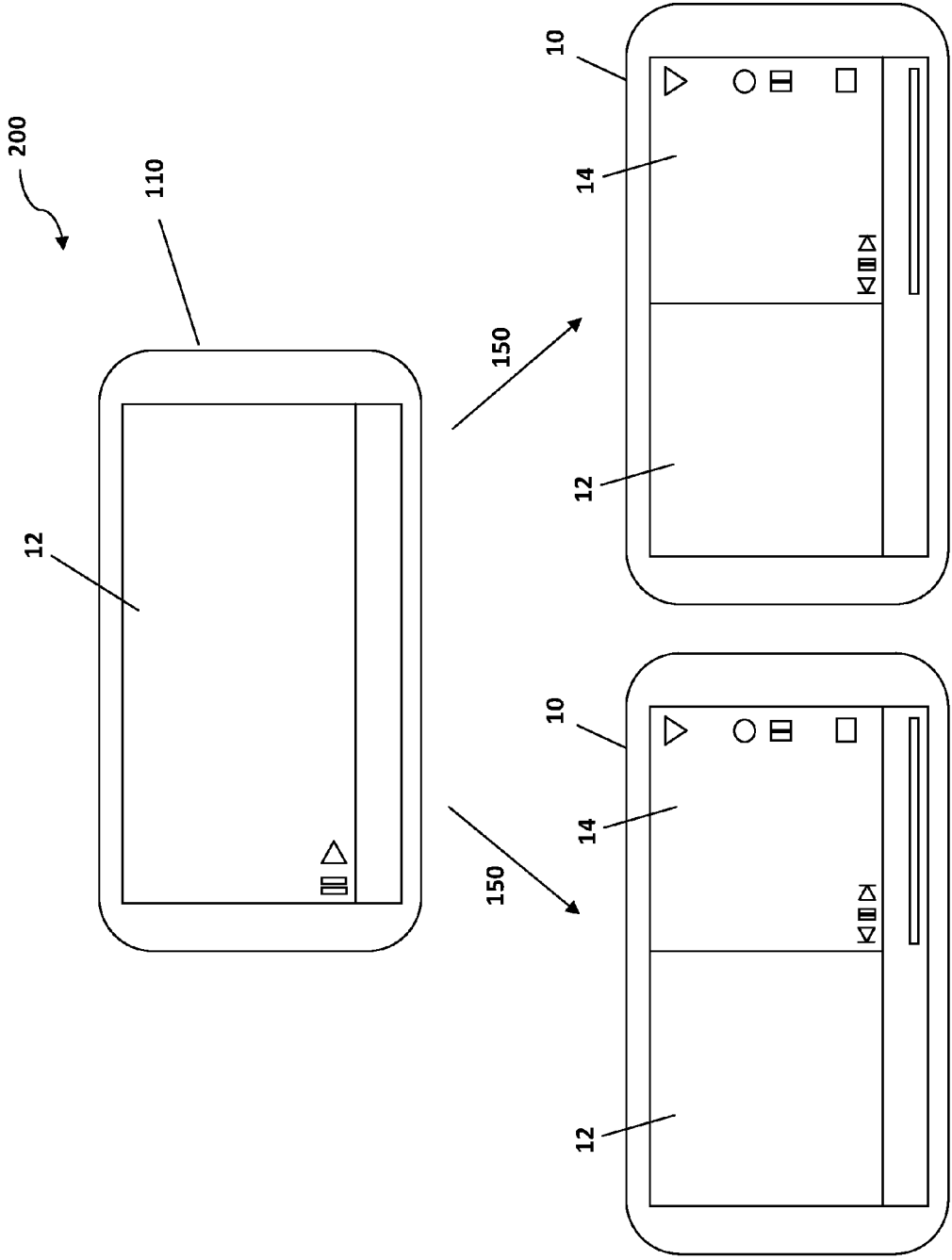


Figure 5

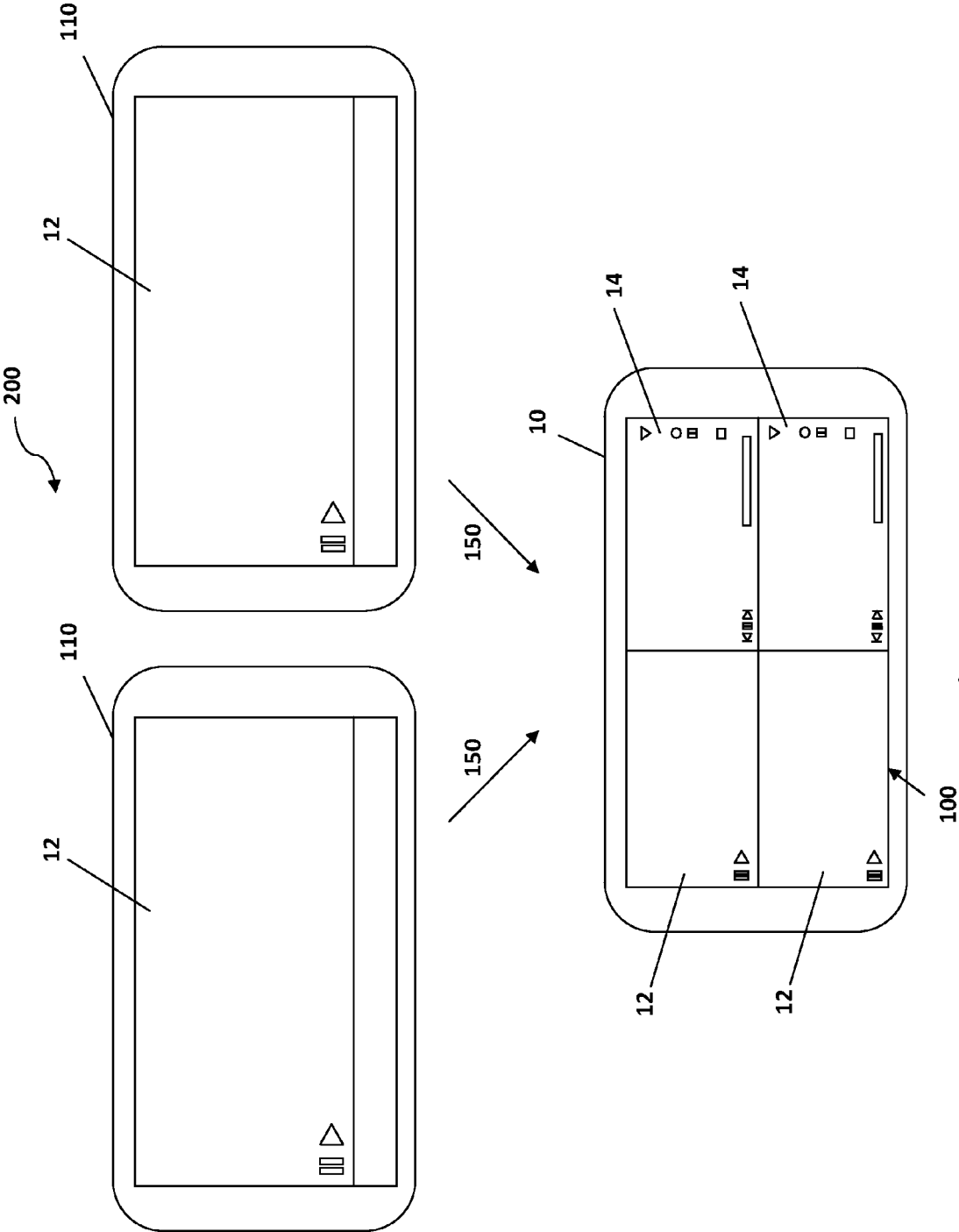


Figure 6

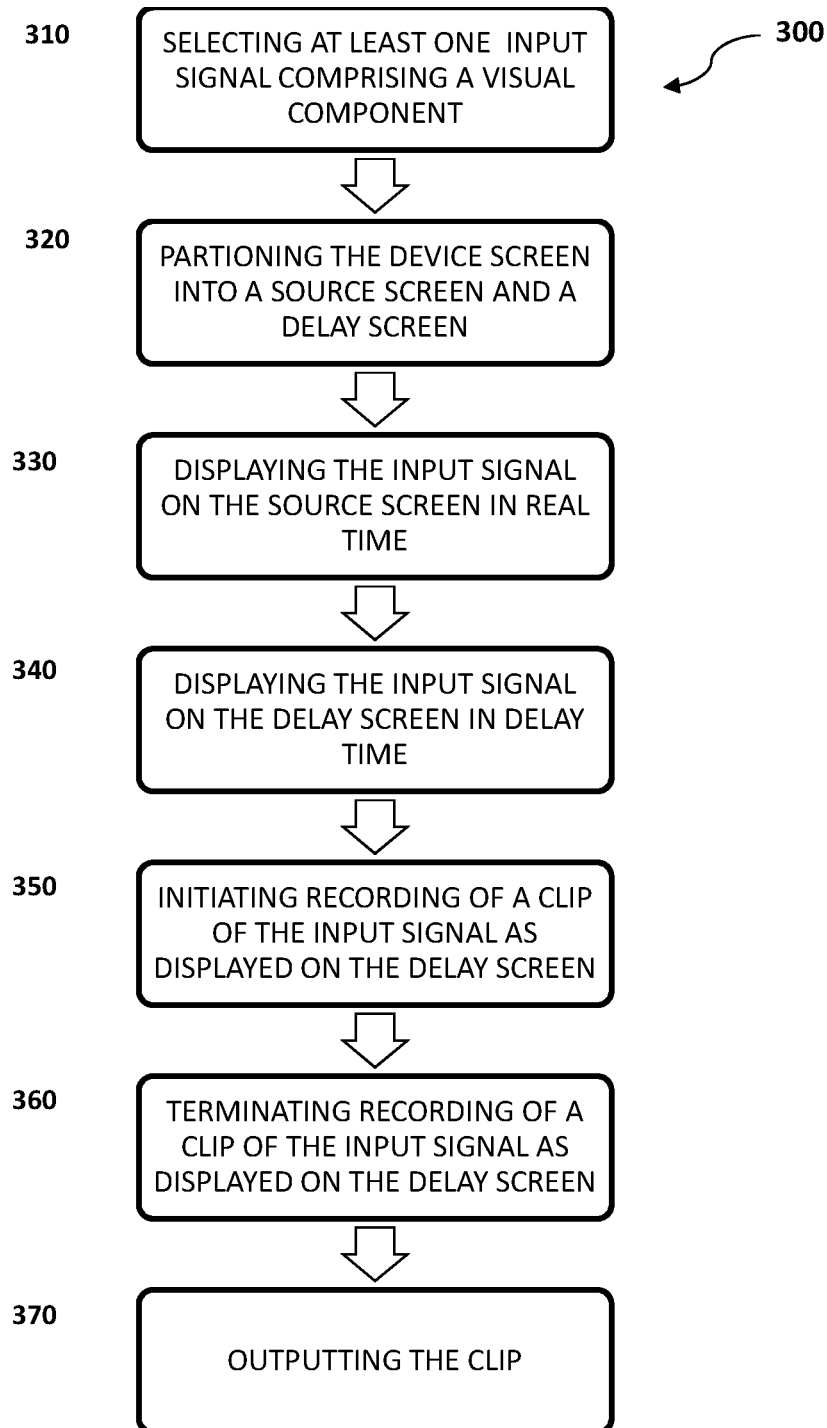


Figure 7

1

SYSTEM AND METHOD FOR VISUAL EDITING

BACKGROUND OF THE INVENTION

Field of the Invention

The present invention relates to a system and method for visual editing of an input signal using a source screen displaying the input signal in real time and a delay screen displaying the input signal in delay time.

Description of the Related Art

Video editing is the process of editing segments of video footage, special effects, and sound recordings. Video editing typically occurs in a post production process, after the filming is complete. In this process, relevant clips of the raw footage or data are cut and then pieced together in a viewable and coherent format, and may further include other signal processing and other enhancements.

As such, traditional video editing requires the user to first capture the raw video footage and/or sound recordings. The user must then transport or transmit the raw data from the capture or source device to a video editor or program for post production. Further, in order to determine which segments of the raw data to use in a resulting clip, the user is required to watch, rewind, or fast forward to track the starting points and end points of each portion to be extracted.

As such, there is a need for an improved system and method which enables a user to selectively create clips from a raw data source, while overcoming disadvantages and problems of the type set forth above.

SUMMARY OF THE INVENTION

The present invention is directed to a system and method for visual editing of an input signal, wherein the input signal may comprise a video signal and/or a visual representation of a non-video signal, such as, by way of example only, a visual representation of an audio signal, an EKG, a speed profile, a direction profile, a temperature profile, etc., such as lends itself to a visual representation in real time that may be displayed on a device screen. Specifically, in at least one embodiment, the present invention enables visual editing of a signal through use of a source screen that visually displays the input signal in real time, and a delay screen that visually displays the input signal in delay time. This allows a user to selectively extract or edit portions of an input signal while watching the input signal as displayed on the delay screen, in order to create a clip from the input signal.

As such, at least one embodiment of the present invention comprises an editing device including a media module, a device screen, a user input module, and an output module.

The media module is structured to receive an input signal from a signal source, and in one embodiment, the signal source may comprise a video camera, a digital video camera, a computer, a server, a mobile electronic device, a camera, an electrocardiograph device, another editing device, or another device capable of transmitting an input signal to the media module.

In one embodiment of the present invention, the device screen comprises a source screen and a delay screen. The source screen is structured to display the input signal in real time. The delay screen is structured to display the input signal in delay time. The source screen and delay screen may be displayed on the device screen in different configurations, in at least one embodiment.

The user input module, in accordance with one embodiment of the present invention, is structured to allow a user

2

to select an input signal for display on both a source screen and a corresponding delay screen. The user input module may also allow the user to change the configurations of the source screen and the delay screen as displayed on the device screen. The user input module, in at least one embodiment, further allows the user to initiate recording of a clip of the input signal as displayed on the delay screen, as well as to pause or terminate recording of the clip. The user may also set or adjust the delay time of the delay screen through the user input module, in accordance with one embodiment of the present invention. For instance, if the user misses the portion that he or she wishes to record, the user may increase the delay interval so that the portion is displayed again in the delay screen.

In accordance with at least one embodiment of the present invention, the output module is structured to transmit a clip to an output device, and in one further embodiment, the output device comprises an internal memory of the editing device itself. In at least one embodiment, the clip comprises a digital media file, and may be transmitted as a stream or feed to one or more output devices, which may comprise an external device or an internal memory of the editing device itself.

These and other objects, features and advantages of the present invention will become clearer when the drawings as well as the detailed description are taken into consideration.

BRIEF DESCRIPTION OF THE DRAWINGS

For a fuller understanding of the nature of the present invention, reference should be had to the following detailed description taken in connection with the accompanying drawings in which:

FIG. 1 is a diagrammatic representation of one illustrative embodiment of a system for visual editing of an input signal.

FIG. 2 is a plain view of one illustrative embodiment of a user interface of an editing device in accordance with the present invention having a device screen comprising a source screen and a delay screen disposed in a side by side configuration.

FIG. 3A is a plain view of the illustrative embodiment of FIG. 2 having a device screen comprising a source screen only configuration.

FIG. 3B is a plain view of the illustrative embodiment of FIG. 2 having a device screen comprising a delay screen only configuration.

FIG. 3C is a plain view of the illustrative embodiment of FIG. 2 having a device screen comprising a source screen in a picture-in-picture configuration.

FIG. 3D is a plain view of the illustrative embodiment of FIG. 2 having a device screen comprising a delay screen in a picture-in-picture configuration.

FIG. 4 is a plan view of one other illustrative embodiment of an editing device in accordance with the present invention having a device screen displaying a visual representation of an audio signal on a source screen and a delay screen.

FIG. 5 is a schematic representation of one illustrative embodiment of a system in accordance with the present invention comprising a single signal source linked to a plurality of editing devices.

FIG. 6 is a schematic representation of one other illustrative of a system in accordance with the present invention comprising a plurality of signal sources linked to a single editing device.

FIG. 7 is a diagrammatic representation of one illustrative embodiment of a method for visual editing of an input signal in accordance with the present invention.

3

Like reference numerals refer to like parts throughout the several views of the drawings.

DETAILED DESCRIPTION

As stated above, the present invention is directed to a system for visual editing of an input signal, generally as shown as **200** throughout the figures, as well as a method for visual editing of an input signal, generally shown as **300** throughout the figures.

FIG. 1 is a diagrammatic representation of one embodiment of a system **200** for visual editing of an input signal **150** in accordance with the present invention. The system **200** as shown in FIG. 1 comprises a signal source **110** structured at least in part to transmit an input signal **150** to an editing device **10**, wherein the input signal **150** comprises at least one visual component, and in at least one embodiment, the input signal **150** comprises a video signal and/or a visual representation of an audio signal. The editing device **10** is structured at least in part to display and at least temporarily store an input signal **150** transmitted thereto. As such, in at least one embodiment, the editing device **10** includes a processor **101** and/or a memory **102**. In one further embodiment, an editing device **10** comprises a device screen **100** disposed in a communicative relationship with a media module **103**, a user input module **104**, and/or an output module **105**. The processor **101** and memory **102** are structured to allow the modules **103**, **104**, and/or **105** to operatively communicate with one another, as well as with the device screen **100**. The output module **105**, in at least one embodiment, is structured at least in part to at least temporarily store a clip **160** comprising one or more portions of an input signal **150**.

In accordance with at least one embodiment of the present invention, the editing device **10** comprises, but is in no manner limited to, a video camera, a digital video camera, a computer, a cell phone, a smart phone, a tablet, or another mobile electronic device capable of displaying an input signal **150**. In one further embodiment, the editing device **10** comprises a wearable device, such as, once again by way of example only, glasses or visors, watches, or other electronic accessories capable of displaying an input signal **150**.

A signal source **110** in accordance with the present invention comprises a device capable of transmitting an input signal **150** having at least one visual component. For instance, in one embodiment, the signal source **110** comprises a computer, a server, or a mobile electronic device which transmits an input signal **150** to an editing device **10**, and more in particular, to a media module **103** of the editing device **10**. In another embodiment, the signal source **110** comprises a video camera or a web camera which transmits an input signal **150** comprising live video to the editing device **10**, and in one further embodiment, the signal source **110** comprises a video camera built into the editing device **10** itself. In another embodiment, the signal source **110** is a memory module, storage medium, or the like of an editing device **10**, wherein the editing device **10** receives an input signal **150** from a signal source **110** comprising storage medium and circuit pathways of the editing device **10** itself. In at least one further embodiment, the signal source **110** comprises another editing device **10**.

As previously stated, in at least one embodiment, a media module **103** is structured to receive an input signal **150** from a signal source **110**. In one embodiment, a media module **103** is capable of receiving an input signal **150** from any of a plurality of signal sources **110**. In one further embodiment, a media module **103** concurrently receives a different one of

4

a plurality of input signals **150** from each of a corresponding plurality of different signal sources **110**. The media module **103** is structured to play different digital files, streams, and live feeds, and as such, in at least one embodiment, the media module **103** comprises hardware and software, such as video and audio codecs, required to decode and display different input signals **150** to a device screen **100**.

In accordance with one embodiment of the present invention, the device screen **100** comprises at least one source screen **12** and at least one delay screen **14**. The device screen **100** is capable of displaying both a source screen **12** and a delay screen **14** concurrently, with each of the source screen **12** and the delay screen **14** comprising at least a portion of the device screen **100**, such as is shown in the illustrative embodiment of FIG. 2. At least one other embodiment of the present invention comprises a plurality of device screens **100**, wherein one device screen **100** is integral with an editing device **10** itself, and another device screen **100** is separate and/or remote from the editing device **10**, such as, by way of example only, a first device screen **100** on a digital video camera, and a second device screen **100** comprising a remote monitor disposed in a communicative relationship with the editing device **10** via a wired or wireless connection.

The source screen **12**, in at least one embodiment, is structured to display an input signal **150** in real time. As used herein, “real time” shall mean that an input signal **150** is transmitted from a signal source **110** to a media module **103** and is displayed on a source screen **12**, without a perceivable time delay to a user.

In at least one further embodiment, a delay screen **14** is structured to display an input signal **150** in delay time. As used herein, “delay time” shall mean the period of time between the live or “real time” display of an input signal **150** from a signal source **110** on a source screen **12**, and the display of the input signal **150**, which in at least one embodiment is at least temporarily stored in a buffer of memory **102** of the editing device **10**, on a delay screen **14**. In at least one embodiment, the delay time is preset, for example, a delay time of eight seconds, however, the delay time can be reset or adjusted by a user. In one embodiment, a user adjusts a delay time via a user input module **104**, and in one further embodiment, the delay time is reset or adjusted during the display of an input signal **150** on a source screen **12** and/or a delay screen **14**.

The user input module **104**, in at least one embodiment of the present invention, is structured to allow a user to select an input signal **150** for display on at least one source screen **12** in real time and on at least one delay screen **14** in delay time. In an embodiment having a plurality of input signals **150** and a device screen **100** having a plurality of source screens **12**, such as shown in the illustrative embodiment of FIG. 6, a user input module **104** further allows a user to selectively display different ones of the plurality of input signals **150** on different ones of the plurality of source screens **12** and correspondingly different ones of a plurality of delay screens **14**. Further, a user input module **104** allows a user to select different display configurations of a source screen **12** and a delay screen **14** on a device screen **100**.

In at least one embodiment, a user input module **104** also allows a user to effect editing of an input signal **150** as it is displayed on a delay screen **14**. A user input module **104** allows a user to create at least one clip **160** comprising at least a portion of an input signal **150** as it is displayed on a delay screen **14**. In at least one embodiment, a user input module **104** allows a user to initiate recording of a clip **160**

5

of an input signal **150** as it is displayed on a delay screen **14**, based on the visual image the user previously viewed on a source screen **12**.

More in particular, in at least one embodiment, a user views a display of an input signal **150** in real time on a source screen **12**, and when he or she views a portion or scene which he or she wishes to keep, the user can initiate recording a clip **160** of the input signal **150** at the start of the same scene just as or just prior to the scene being displayed on the delay screen **14**, because the user knows when the scene will begin as he or she just viewed it in real time on the source screen **12**. In one further embodiment, a user may be viewing live action which is being captured and transmitted to an editing device **10** as an input signal, and, as before, the user can initiate recording a clip **160** of the input signal **150** at the start of an event the user just saw as it is being displayed on the delay screen **14**, because the user knows when the event begins as he or she just watched it occur.

In at least one embodiment, the user input module **104** also allows the user to pause recording of the clip **160**, and in one further embodiment, the user input module **104** allows the user to resume recording to the same clip **160**. In one further embodiment, recording of the clip **160** continues while the image on the delay screen **14** is paused. In yet another embodiment, the input signal **150** is displayed on delay screen **14** in slow motion, in order to allow more accurate editing, or in fast motion, in order to catch up to the source screen **12** display once recording has been initiated, however, in this embodiment, the clip **160** will capture the portion of the input signal **150** for playback in normal speed. In yet one further embodiment, the input signal **150** is displayed on delay screen **14** in slow motion or fast motion, and the clip **160** will capture the portion of the input signal **150** for playback in either slow motion or fast motion, exactly as it was displayed on delay screen **14**.

In one further embodiment, the user input module **104** also allows the user to terminate recording of the clip **160**. In at least one embodiment, upon termination of recording the clip **160** is at least temporarily stored on the editing device **10**, such as, for example, in memory **102**, and in one further embodiment, the clip **160** is automatically transferred to an output device **120** via an output module **105**.

The user input module **104** in accordance with at least one embodiment of the present invention further allows the user to set or adjust a delay time for display of an input signal **150** on a delay screen **14**. More in particular, in one embodiment, the user sets or adjusts a delay time while an input signal **150** is displayed on a source screen **12**, or a delay screen **14**, or both. In another embodiment, a user sets or adjusts a delay time while an input signal **150** is being edited. In one further embodiment, a user input module **104** comprises one or more of physical buttons, touch capacitive sensing on a touchscreen input **100'**, motion tracking or sensing, voice activation, and/or remote input from another device.

The output module **105**, in at least one embodiment, is structured to transmit a clip **160** to an output device **120**. The clip **160** comprises at least a portion of an input signal **150** created by the editing device **10**. The output device **120**, in at least one embodiment, comprises a memory **102** of the editing device **10**, such as an internal hard disk, an attached memory card, embedded nonvolatile flash memory, or other such storage. The output device **120**, in one further embodiment, comprises remote storage such as a server or cloud storage provider accessible through a communication network such as the Internet. The output module **105**, in one embodiment, transmits a clip **160** in raw format, and in at

6

least one other embodiment, the output device **105** encodes the clip **160** with at least one codec, and/or prompts the user to select what file type or compression format in which to transmit the clip **160**. As one example, the output module **105** is structured to process and encode the clip in one of Xvid, DivX, MPEG, H.264, WMV, WMA, MP3, MP4, etc.

In at least one embodiment, an output module **105** transmits a clip **160** in a stream or live feed format. In at least one embodiment, the output device **120** comprises a computer, server, television, video monitor, tablet, audio player, or mobile electronic device. In one other embodiment, the output device **120** comprises another editing device **10**. This allows multiple users to edit an input signal **150** in a cascading fashion. For example, a first user edits an input signal **150** on a first editing device **10** during a sporting event and transmits a first clip **160** to one or more second editing device **10** via output module **105**. The second editing device **10** receives the first clip **160** and the second user edit the first clip **160** thereby creating a second and further edited clip **160**. In at least one embodiment, the output module **105** of the first editing device **10** first transmits the first clip **160** to a remote server, and other editing devices **10** download or stream an input signal **150** consisting of the first clip **160** from that remote server.

The output module **105** is triggered upon a termination event which, in at least one embodiment, comprises a user input via the user input module **104**, e.g., actuation of a stop button. In at least one embodiment, the output module **105** automatically saves a clip **160** upon reaching the end of an input signal **150**. In one further embodiment, the output module **105** automatically saves a clip **160** upon a time out request, or an operational error, such as, but not limited to, a camera malfunction, low battery, or software crash.

As previously stated, the editing device **10** may comprise, but is not limited to, a mobile electronic device, a phone, or a tablet. In this embodiment, the editing device **10** comprises a device screen **100**. The device screen **100** illustrates a side by side configuration of the source screen **12** and the delay screen **14**. The device screen **100** further comprises a touchscreen input **100'** including recording controls **21**, delay controls **25**, and playback controls **29**, such as is illustrated in the embodiment of FIG. 2.

Playback controls **29**, in at least one embodiment, comprise a playback slide bar **29'** used to select a portion of an input signal **150** to be displayed on a source screen **12**. Playback controls **29** in one further embodiment comprise playback buttons **29''** including a play button to initiate playback of an input signal **150**, and a pause button to at least temporarily pause the playback of an input signal **150**. In at least one embodiment, the playback controls **29** are present only when the input signal **150** comprises a digital media file or a media stream. In another embodiment having an input signal **150** comprising a live feed, playback controls **29** are not necessary and are therefore not displayed. However, in at least one other embodiment, the editing device **10** retains a buffer of a live feed, and as such, playback controls **29** are operational in such an embodiment.

Delay controls **25**, in at least one embodiment, comprise a delay slide bar **25'** used to adjust a delay time for the display of an input signal **150** on a delay screen **14**. The delay time shown in FIG. 2 ranging from 8 seconds and 30 minutes is for illustrative purposes only and is not limiting, as greater or lesser delay time limits and/or ranges are within the scope and intent of the present invention. Delay controls **25** in one further embodiment of the present invention comprise delay adjustment buttons **25''** which are operative to incrementally increase or decrease a delay time. In at least

one embodiment, the delay adjustment buttons **25'** allow the display of the input signal **150** on the delay screen **14** to be at least temporarily paused. In at least one embodiment, while the delay screen **14** is paused, the delay time automatically increases if the source screen **12** continues to display the input signal **150**. In another embodiment, the delay controls **25** further comprise a delay increment button **25''** to increase delay time in a preset interval which, in at least one embodiment, is selected and/or adjusted by the user. In one further embodiment, delay controls **25** are locked out when the editing device **10** is recording, while in one further embodiment, the delay controls **25** remain operative when the editing device **10** is recording.

Recording controls **21**, in at least one embodiment, comprise a record button, a pause button, and a stop button, as shown best in FIG. 2. As such, a user may begin recording a clip **160**, pause recording of a clip, and stop recording a clip **160** as an input signal **150** is displayed on the delay screen **14**. In at least one embodiment, a user can pause recording of a clip **160** and later resume recording to the same clip **160**.

Looking next to the illustrative embodiments of FIGS. 3A through 3D, it is seen that the device screen **100** of the editing device **10** can present at least one source screen **12** and at least one delay screen **14** in various display configurations. As one example, FIG. 3A illustrates a source screen **12** only configuration, wherein the source screen **12** comprises substantially the entire device screen **100**. As another example, FIG. 3B illustrates a delay screen **14** only configuration, wherein the delay screen **14** comprises substantially the entire device screen **100**. FIG. 3C illustrates an example of a source screen **12** picture-in-picture configuration, wherein the source screen **12** comprises only a portion of the device screen **100** while the delay screen **14** comprises the remainder of the device screen **100**. Lastly, FIG. 3D illustrates a delay screen **14** picture-in-picture configuration, wherein the delay screen **14** comprises only a portion of the device screen **100** while the source screen **12** comprises the remainder of the device screen **100**. A user may switch between various display configurations of the source screen **12** and the delay screen **14** via touchscreen input **100'**. In at least one embodiment, the user may switch between the various display configurations using a swiping motion via touchscreen input **100'**, and in one further embodiment the display configuration is affected by "pinching" a portion of the touchscreen input **100'**. In at least one other embodiment, a user may switch between various display configurations using input such as motion sensing or tracking, i.e., shaking the editing device **10**, flipping the editing device **10**, voice command, etc.

Looking next to the illustrative embodiment of FIG. 4, an input signal **150** comprises an audio signal, and a visual representation of an audio signal **30**, **30'** are displayed on source screen **12** and delay screen **14**, respectively. As displayed on the source screen **12**, the visual representation of an audio signal **30** is shown in real time, and as displayed on the delay screen **14**, the visual representation of an audio signal **30'** is shown in delay time. The visual representations of an audio signal **30**, **30'** may comprise waveforms, such as shown in FIG. 4. In one further embodiment, visual markers, such as a delay time line tag **34**, **36** indicating where sound occurs in a video display to assist a user in editing an input signal **150** based on an audible component, such as, a sound occurring by something or someone off screen and not visually perceivable in the source screen **12** or delay screen **14**. In at least one embodiment, a delay time line tag **34**, **36**, as shown in FIG. 2, is inserted by tapping the touchscreen

input **100'** on source screen **12** during display of an input signal **150** thereon in real time, and in one other embodiment, a button or similar control is operable to insert one or more delay time line tag **34**, **36**. In one further embodiment, a visual marker is keyed to particular frequencies and/or amplitudes of sound to assist the user in editing of the input signal **150**. In at least one embodiment, the visual representations of an audio signal **30**, **30'** are displayed concurrently with another visual component, such as a video signal. The visual representations of a signal are not limited to audio signals, but may comprise other signals such but not limited to EKG, temperature, direction, speed, etc.

As illustrated in FIG. 5, at least one embodiment of the present invention comprises a plurality of editing devices **10**. In the illustrative embodiment of FIG. 5, at least one editing device **10** acts as a signal source **110** and transmits an input signal **150** to each of a plurality of different editing devices **10**. The user of the signal source **110** focuses on recording operations, while the user of each of the plurality of editing devices **10** focuses on editing an input signal **150** from the signal source **110**.

As one example, a user of a signal source **110** records a high school football game, and the user of each of a plurality of different editing devices **10** receives an input signal **150** from the signal source **110**. Further, each user edits the input signal **150** to create a different clip **160**, wherein the clip **160** created by each user consists of video highlights of different players.

In one alternative embodiment, a plurality of signal sources **110** record from different vantage points, and each of the plurality of signal sources **110** transmits an input signal **150** to an editing device **10**, to allow simultaneous editing of multiple input signals **150**. As just one example, a plurality of signal sources **110** are setup at different angles and locations to record a football game, and each signal source **110** transmits a different input signal **150** to an editing device **10**. A user of the editing device **10** can select one of the plurality of different input signals **150** and edit one of the plurality of different input signals **150** to create a clip **160** having a duration of 10 seconds, and the editing device **10** will simultaneously create a clip **160** of the same 10 seconds from each of the remaining plurality of different input signals **150**. This allows a clip **160** of the exact same event, e.g., the exact same 10 second interval, to be viewed from different perspectives. In at least one embodiment, the signal sources **110** and editing devices **10** are linked together via wired or wireless communication, such as via LAN, WiFi, Bluetooth, or other communication technologies.

FIG. 7 is a diagrammatic representation of one illustrative embodiment of a method for visual editing of at least one input signal on an editing device having a device screen **300**. In the embodiment of FIG. 7, a user selects **310** at least one input signal comprising at least one visual component. The input signal may be stored locally on the editing device, connected to or in communication with the editing device, or streamed across a communication network such as the Internet.

A device screen is partitioned **320** into a source screen and a delay screen, in accordance with one embodiment of the present invention. The source screen and the delay screen can be displayed either concurrently or separately on the device screen. The user selects between a plurality of different display configurations including, but not limited to, source screen only, delay screen only, side by side, source screen picture-in-picture, delay screen picture-in-picture, etc., as described above with reference to FIGS. 3A through 3D.

In at least one embodiment of the present method **300**, an input signal is displayed **330** on the source screen in real time. In the case where the input signal comprises an audio component, a visual representation of the audio signal is displayed on the source screen. In at least one further embodiment, an input signal is then displayed **340** on the delay screen in delay time. The delay time is preset, however, in at least one embodiment, a user can reset a delay time tailored to a particular user's reaction time. The user can adjust the delay time on the editing device during the display playback of the input signal. In at least one embodiment, a user adjusts the delay time during recording of a clip. In one further embodiment, when a user adjusts the delay time during playback of the input signal on the editing device, the display of the input signal on the delay screen adjusts correspondingly to the new delay time.

A user initiates recording **350** of a clip of an input signal based on the replay of a visual image displayed on a delay screen in accordance with one embodiment of the present method **300**. In at least one further embodiment, the user pauses and resumes recording at any time to selectively record only those desired portions of the input signal, which the user has previously viewed either live or as displayed on a source screen, thus allowing visual editing of the input signal. In at least one embodiment, the pausing and resuming operations will not create a plurality of clips, but rather results in a single, composite clip.

In accordance with one further embodiment of the present method **300**, a user terminates **360** recording of a clip of the input signal as displayed on the delay screen. Subsequently, the clip is output **370**. In another embodiment, termination **360** results in a clip being output **370** automatically. In another embodiment, termination **360** results in prompting the user on how or where to output **370** the clip. In at least one embodiment, output **370** of a clip further includes encoding the clip with at least one codec. The user further selects the codecs and/or file format in which the clip is output **370**. Output **370** may further comprise, by way of example only, saving a clip in the internal memory **102** of the editing device, to an attached storage medium, to a storage medium in communication with the editing device, or to a server such as a cloud storage provider or social media provider over the Internet.

Since many modifications, variations and changes in detail can be made to the described preferred embodiment of the invention, it is intended that all matters in the foregoing description and shown in the accompanying drawings be interpreted as illustrative and not in a limiting sense. Thus, the scope of the invention should be determined by the appended claims and their legal equivalents.

Now that the invention has been described,

What is claimed is:

1. A video capture and editing system for optimizing the recording of live video clips of a live event prior to storage in a non-transitory computer accessible storage medium of a mobile electronic device by a single user comprising:

the mobile electronic device comprising a video camera, a single device screen, a buffer memory and said non-transitory computer accessible storage medium, said video camera and said single device screen fixedly mounted relative to each other in the mobile electronic device,

at least a portion of the single device screen comprising a first window and a second window,

a media module resident on the mobile electronic device, said media module receiving a live video stream from said video camera and displaying said live video stream in

the first window of said single device screen to facilitate the single user's continuous orienting of the video camera towards the live event,

said media module storing said live video stream in said buffer memory,

said media module obtaining a delayed live video stream from the buffer memory after a delay period and displaying said delayed live video stream in the second window of said single device screen, the second window displayed concurrently on the single device screen with at least a portion of the first window, wherein the delayed live video stream in the second window lags the live video stream in the first window by the delay period,

said single device screen including a first graphical user interface displayed on the single device screen in proximity to the second window which provides the single user with an affordance to selectively initiate recording of a video clip of said delayed live video stream in said non-transitory computer accessible storage medium which is started at the same time corresponding to the delayed live video stream being displayed on said second window, and

said single device screen further including a second graphical user interface displayed on the single device screen in proximity to the second window which provides the single user with an affordance to change said delay period during operation of said portable electronic device.

2. The editing system of claim **1** wherein said single device screen comprises a touchscreen on a first exterior surface of the mobile electronic device and the video camera faces outward from an opposing exterior surface of the mobile electronic device.

3. The editing system of claim **2** wherein said touchscreen includes a third graphical user interface which provides the user with an affordance to insert a visual tag into the live video stream during display of said live video stream in said first window.

4. The editing system of claim **2** wherein said second graphical user interface comprises a slide bar.

5. The editing system of claim **2** wherein said second graphical user interface comprises a plurality of predefined delay increments.

6. The editing system of claim **1** wherein said media module further includes a plurality of different user selectable display configurations for said first and second windows of said first device screen.

7. The editing system of claim **6** wherein said media module further provides an affordance that allows the user to switch between said plurality of different user selectable display configurations via a swiping motion on the touchscreen.

8. The editing system of claim **6** wherein said plurality of different user selectable display configurations includes at least one member of the group consisting of a first and second window side by side configuration, a first window picture-in-picture configuration at least partially overlapping the second window, and a second window picture-in-picture configuration overlapping at least a portion of the first window.

9. The editing system of claim **1** wherein said live video stream comprises a visual conversion of a non-visual source.

10. The editing system of claim **1** wherein said mobile electronic device includes a member of the group consisting of a camera, a digital video camera, a portable computer, a

11

tablet computer, a cell phone, a wearable computer watch, a wearable computing visor, a set of wearable glasses or a smart phone.

11. A method for allowing a single user to capture and editing a live video stream to optimize the storage of a video clip in a non-transitory computer accessible storage medium of a mobile electronic device having an integrated single device screen and an integrated video camera comprising:

the single user pointing the video camera of the mobile electronic device towards a live event to acquire the live video stream with the video camera,

partitioning at least a portion of the single device screen into a first display window and a second display window,

displaying the live video stream in the first display window,

storing the live video stream in a buffer memory of the mobile electronic device,

obtaining a delayed live video stream from the buffer memory after a predetermined delay period, the delayed live video stream lagging the live video stream by the predetermined delay period,

displaying the delayed live video stream in the second display window, the first and second display windows concurrently appearing on the single device screen,

providing the single user with a user-selectable affordance on the single device screen in proximity to the second display window to initiate recording of a video clip of the delayed live video stream beginning at the same time that the delayed live video stream is being displayed in the second display window,

providing the single user with a user-selectable affordance on the single device screen in proximity to the second display window to terminate recording of the video clip of the delayed live video stream ending at the same time that the delayed live video stream is being displayed in the second display window, and

storing the video clip in the non-transitory computer accessible storage medium of the mobile electronic device.

12. The method of claim 11, further comprising the step of transmitting the at least one clip to a cloud storage service.

13. The method of claim 11, further comprising the step of transmitting the at least one clip to a social media platform.

14. The method of claim 11, further comprising the step of transmitting the at least one clip to a storage medium external to the portable electronic device.

15. A system for live clipping of a live video stream by a single user during video capture and editing prior to transmission, comprising:

a mobile electronic device having a camera for collecting the live video stream, a buffer memory, a non-transitory

12

computer accessible storage medium and a single device screen fixedly mounted relative to the camera, a media module resident in the mobile electronic device, the media module receiving the live video stream from the camera, displaying the live video stream in a first window of the single device screen to allow the single user to orient the camera towards a live event and storing said live video stream in said buffer memory in a sequential fashion where an oldest memory location in said buffer memory is overwritten with a newer data from said live video stream,

said media module further obtaining said stored live video stream from said buffer memory after a predetermined delay period and displaying said stored live video stream in a second window of the single device screen, the first and second windows displayed concurrently on the single device screen, wherein the stored live video stream displayed in the second window lags the live video stream displayed in the first window by the predetermined delay period, and

said single device screen including at least one user-selectable indicia in proximity to the second window that provides the single user with an affordance to view the lagging video stream in the second window and begin recording at least one clip of the lagging video stream starting from a point corresponding to the lagging video stream as it is displayed in said second window into said non-transitory computer accessible storage medium,

wherein said at least one user-selectable indicia comprises a record button that initiates recording of the at least one clip.

16. The system as recited in claim 15 wherein said at least one user-selectable indicia further comprises a pause button that provides the user with an affordance to selectively pause recording of the at least one clip.

17. The system as recited in claim 16 wherein said pause button further provides the user with an affordance to selectively resume recording of said at least one clip.

18. The system as recited in claim 15 wherein said single device screen is a touchscreen and said at least one user-selectable indicia is operable via the touchscreen.

19. The system as recited in claim 15 wherein said at least one user-selectable indicia further comprises a stop button which terminates recording of the at least one clip and automatically stores the at least one clip in said non-transitory computer accessible storage medium.

20. The system as recited in claim 19 wherein said at least one user-selectable indicia further comprises a stop button which terminates recording of the at least one clip and provides the single user with an affordance to select a file format with which to store the at least one clip in said non-transitory computer accessible storage medium.

* * * * *